



TeleZSpin

Professional Broadcast TV and
Teleprompting Robotic Pedestal

**A modular studio or portable automated pedestal which
can conveniently be remotely-operated using most PTZ
camera controllers!**



Capability:

- 20" Vertical Travel
- 180- degree rotation
- 75 lb payload
- Adapts to any
TelePrompting hood

Multiple Control methods:

1. PTZ Camera
Controllers
2. Broadcast Studio
Controllers (Newtek,
Creston..)
3. Free PC Software
4. PresenterTek's
TouchScreen Controller
5. Integral footswitches
for Z-axis up/down and
Pan Toggle switch for
Pan left/right

**Shown with TelePrompting hood, Countdown
Timer and Talent Monitor (not included)**

Advantages:

- Remotely positionable for both sitting and standing talent
- Quiet and smooth direct-drive operation
- Professional-quality design featuring smooth operation
- Extremely affordable option when compared to expensive TV production pedestals
- Repeatable shot recall using pre-set positioning
- Perform compound, simultaneous positioning in both axes
- Operate via multiple methods
 - PTZ camera controllers. Conforms to VISCA-IP or VISCA-Serial Standards
 - Broadcast Studio Controllers using direct VISCA over IP commands
 - Download our free IP Controller Software (PC Only)
 - PresenterTek's Touchscreen Controller
 - Manual Footswitch for Up/Down and toggle switch for PAN Left/Right
- Standard 10/100 Mbps Ethernet RJ45 input
- Built in HTML server and free PC based Configuration and Control software for easy configuration to your LAN
- Automate studio production & reduce labor costs to achieve high ROI
- Perfect for live-stream events
- Fast and easy assembly
- Warranted for 3 years

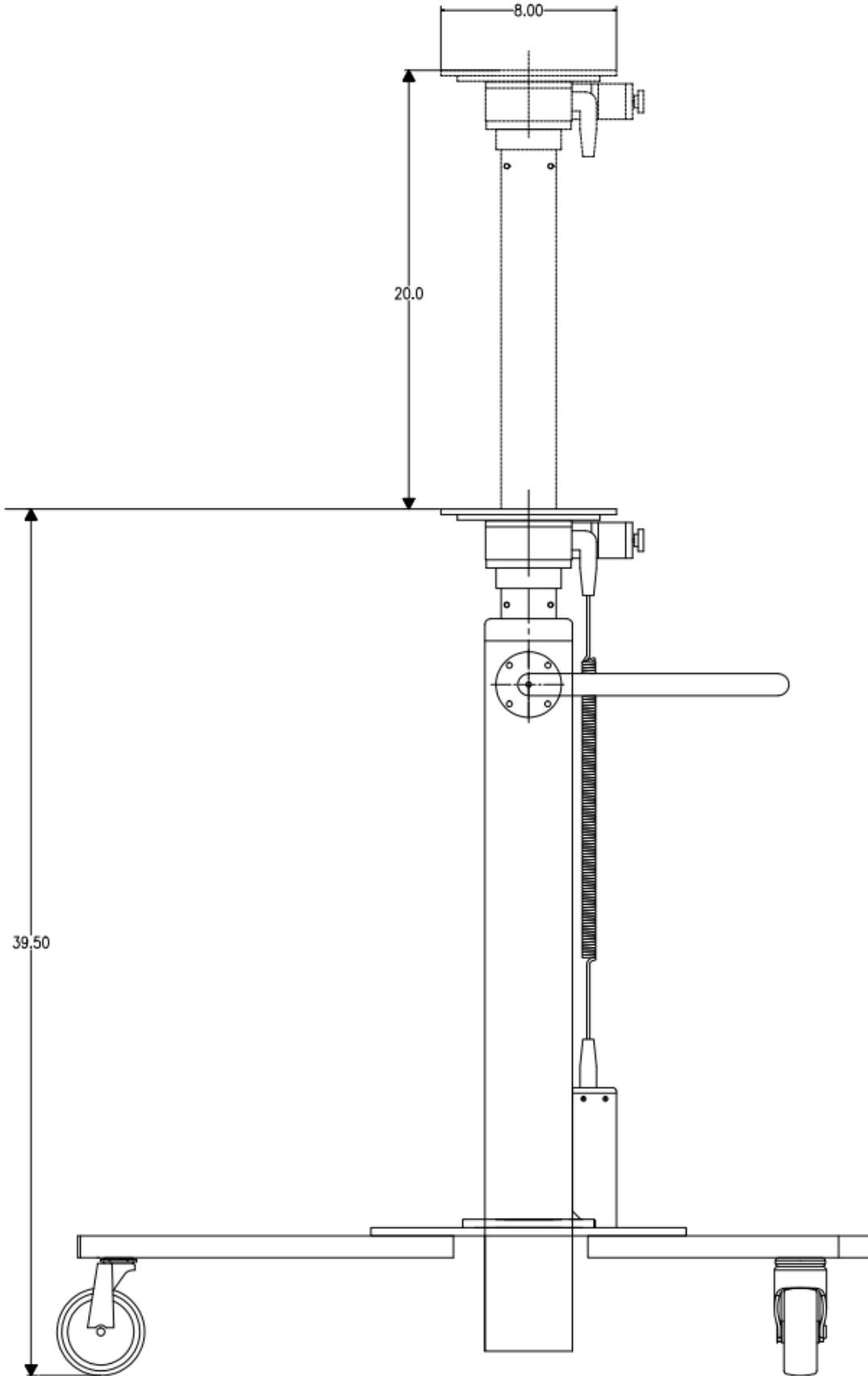
What's Included:

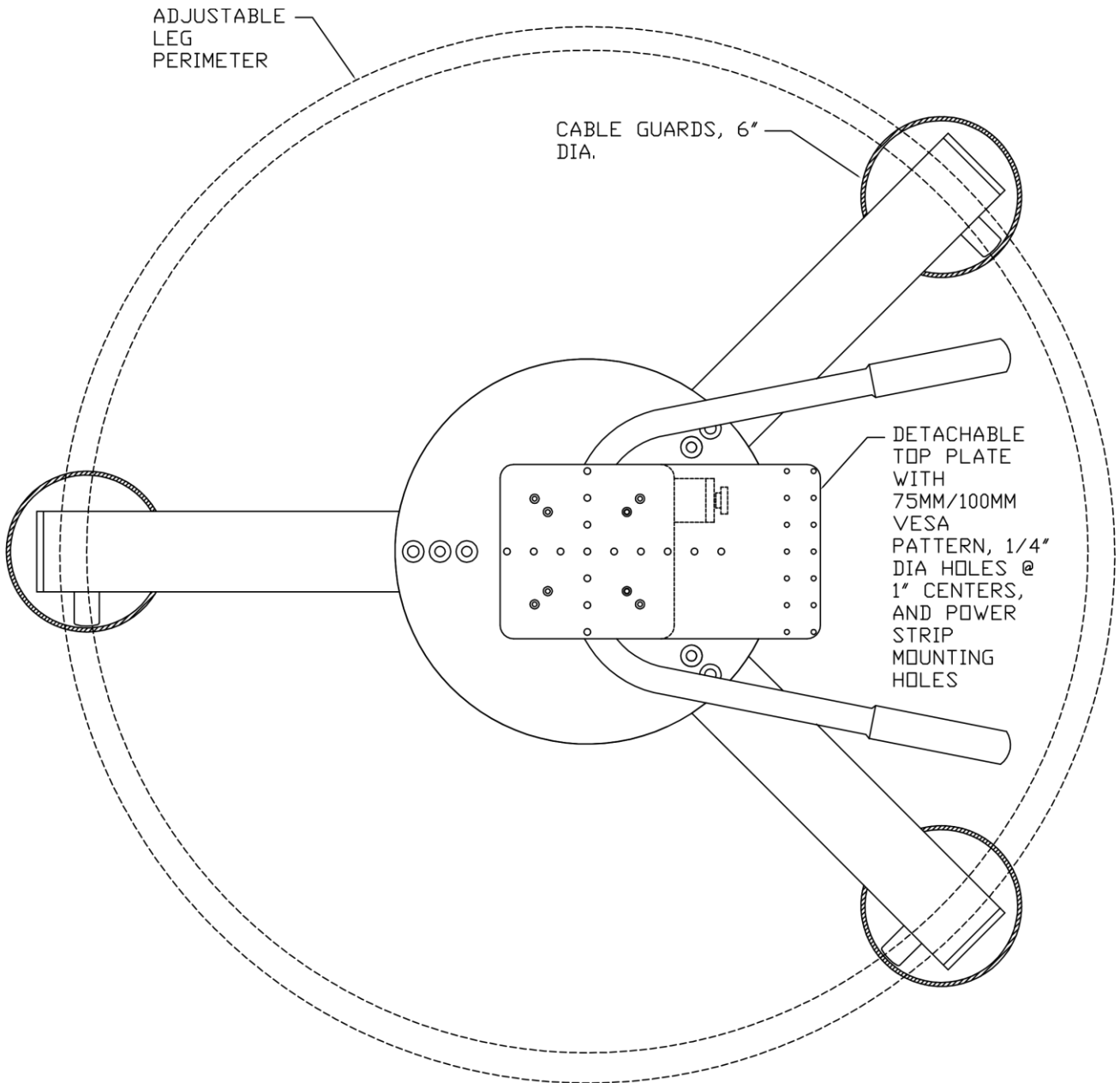
- Robotic Stand, 2 axis- Vertical and Pan Modules
- Monitor Hood adapter plate
- Baseplate Assembly
- AC Power Chord, 6 foot, IEC
- Ethernet cable
- Hardware and tools required for assembly
- Detachable and adjustable Handles,

Specifications:

Vertical Stroke	20 inches
Vertical Height Bottom of stroke/home pos. Extended Height	39.5 inches 59.5 inches
Vertical positional accuracy	+/- .010" (.254mm)
Vertical Speed (max)	20 inches in 15 seconds
Rotation	+/- 90 degrees
Over-Rotation Protection	Left and right limit switches prevent over-rotation.
Rotation Speed	180 degrees in 10 Sec
Rotational repeatability	+/- 1 degrees
Payload	75 lbs.
Adjustable Leg Perimeter Maximum Minimum	41.5 inches 43.5 inches
Mounting to Teleprompting Hood and camera assemblies	VESA and additional camera mounting holes adapt to any standard 75 or 100 mm monitor mounting pattern, cheese plate or standard camera or prompter hood
Control	<ul style="list-style-type: none"> <input type="checkbox"/> Wide variety of PTZ camera controllers that conform to any of the various VISCA-IP or VISCA-Serial standards <input type="checkbox"/> Free PC Software <input type="checkbox"/> PresenterTek's TouchScreen Controller <input type="checkbox"/> Manual Up/Down mode using momentary foot switches mounted on baseplate <input type="checkbox"/> Manual toggle switch for Pan Left/Right
Control Interface	<ul style="list-style-type: none"> <input type="checkbox"/> 10/100 Mbps Ethernet <input type="checkbox"/> Standard RJ45 connector
LAN Configuration	<ul style="list-style-type: none"> <input type="checkbox"/> Built in HTML server <input type="checkbox"/> Free Windows based PC app <input type="checkbox"/> Supported IP Protocols: <ol style="list-style-type: none"> 1. UDP Server or Client 2. TCP/IP Server or Client 3. Static IP
Power input	<ul style="list-style-type: none"> <input type="checkbox"/> AC line cord <input type="checkbox"/> Illuminated On/Off power switch
System Power / Usage	<ul style="list-style-type: none"> <input type="checkbox"/> Input Voltage:100-240 VAC 50/60 Hz <input type="checkbox"/> Usage: 900 watts max
Weight (not including Teleprompting Hood)	<ul style="list-style-type: none"> <input type="checkbox"/> 50 lbs
Mounting	Heavy duty 4" wheels with locking casters and cable protectors Fixed floor and ceiling mount options also available
Certifications	RoHS compliant, UL-listed components. Power supply UL and CE approved.
Warranty	Three years from date of purchase, parts and labor

TeleZ-Spin Dimensions





TELE Z-SPIN PLAN VIEW