



PTZ MoverIP® Robotic PTZ Camera Stand

A remotely-operated, telescoping PTZ camera stand which allows the user to conceal a camera or simulate realistic dynamic jib/dolly shots in any orientation.



Four standard travel versions:
6", 12", 18", 24" (24" shown)

Shaft Extenders Available

Various mounting configurations:

- Base plate for floor (shown),
- Wall or Ceiling (Grid tubing or Unistrut)

Multiple Methods of Control:

1. Any PTZ camera controller that conforms to VISCA
2. Direct IP Control (Creston, NewTek or similar)
3. Computer Control using our Free, PC based PresenterTek IP Controller Software
4. 10.1" Touchscreen Controller
5. Simple Handheld Up Down Remote

Floor mount version, Shown with PTZ Camera and PTZ Camera Controller, Not included

Advantages:

- Permits quiet and discreet placement of PTZ cameras in concert venues, houses of worship, education, and business settings.
- PTZ cameras can also be retracted within ceiling/plenum spaces for security and insurance purposes
- 4 different travel version, 6", 12", 18", 24"
- Floor, ceiling or wall mount configuration
- Multiple methods to control
 - Most PTZ camera controllers that conform to VISCA over IP
 - PresenterTek's IP Controller , Free PC based software
 - Optional 10.1" Touch-Screen Controller
 - Optional Hand-Held Simple Up/Down Remote
- Easy to Setup to your LAN using either:
 - Built in HTML Server, configure using any Internet Browser
 - Free PC Software
- Helical cable management system
- 100-240VAC 50/60 Hz power input
- Reliable, cost effective and proven design

What's Included in Standard Kit:

- Robotic PTZ camera stand (qty. 1).
- PTZ camera mounting plate assembly (4.00" diameter) with 1/4"-20 Truss Head Screw for camera mounting
- Mounting hardware, Either Floor, Wall or Ceiling options
- Power Supply with 6' power cable

PTZ MoverIP[®] Specifications

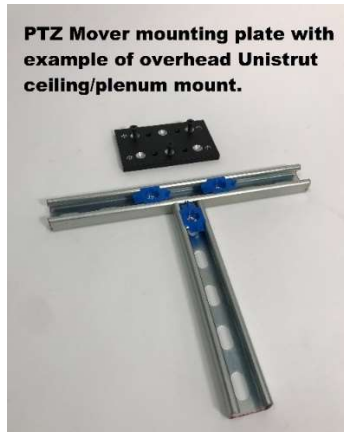
Total Travel	6", 12", 18", 24" Options
Extended/Retracted Height, from mounting plate to top of stand	See Sheet 4
PTZ Camera Controller Compatible	Allows most standard PTZ camera controllers that conform to VISCA/IP or VISCA/Serial standard which includes most popular PTZ camera controllers such as: <ul style="list-style-type: none"> • Sony , PTZOptics, Skaarhoj, Ross Video, Bolin, BirdDog, Creston, etc.
Input Power	AC, 100-240 50/60Hz 100W. Red power indicator lamp 3 Pin XLR connector
Speed	Variable, max of 4"/second
Weight Limit	20 lbs
Stand Tubing	Black anodize, small profile diameters (..750" diam small tube, 1.50" square large tube)
Stand Cabling	Standard RJ45 Ethernet cables
Weight	8 lbs (14 lbs with optional 3/8" thick Baseplate)

PTZ MoverIP[®] Accessories

10.1" Touch Screen Controller	
Simple HandHeld Up/Down Remote	
Shaft Extenders, 12" and 18"	PNEX-1000-12 OR PN EX-1000-18
Baseplate, 14.5" diameter, 3/8" thick with center mounting or off-set mounting options	PN STB-1001M
Baseplate, 14.5" diameter, 5/8" thick with center mounting or off-set mounting options	PN STB-1002M
Pipe Grid ceiling mounts with mounting hardware to accommodate 1-1/2" studio grids, truss or Uni-Strut	PNSTB-1012
Uni-Strut Ceiling mount	
Wall mount hardware for angular attachment	PN STB-1010



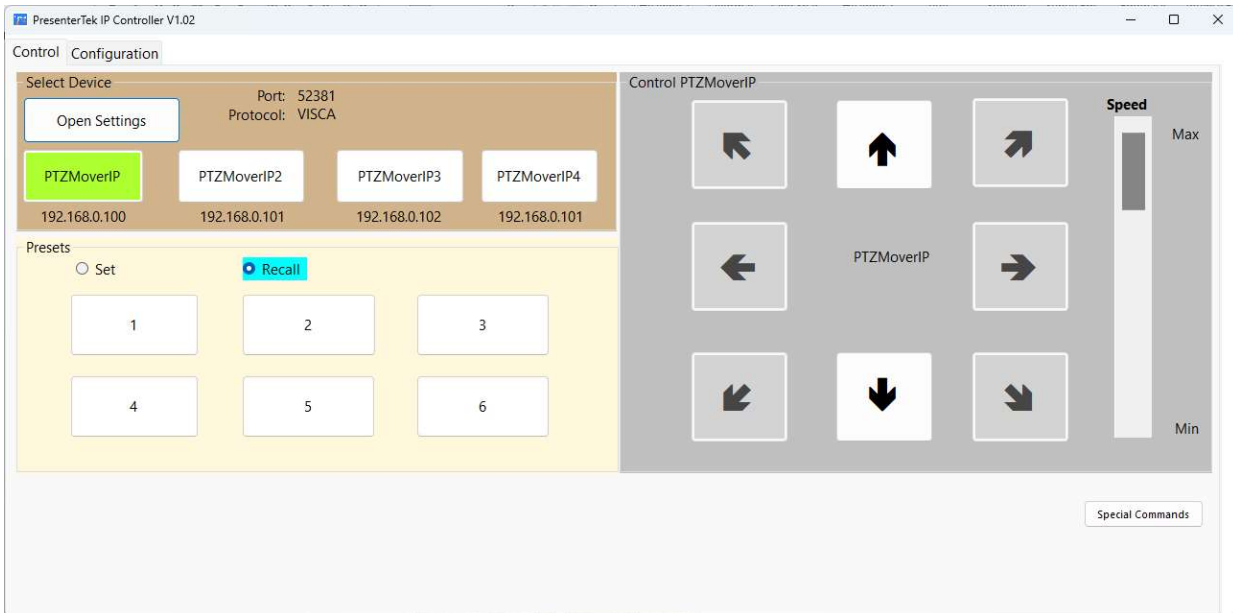
Ceiling Mount



PTZ Mover mounting plate with example of overhead Unistrut ceiling/plenum mount.



Hand-Held Up/Down Remote Option

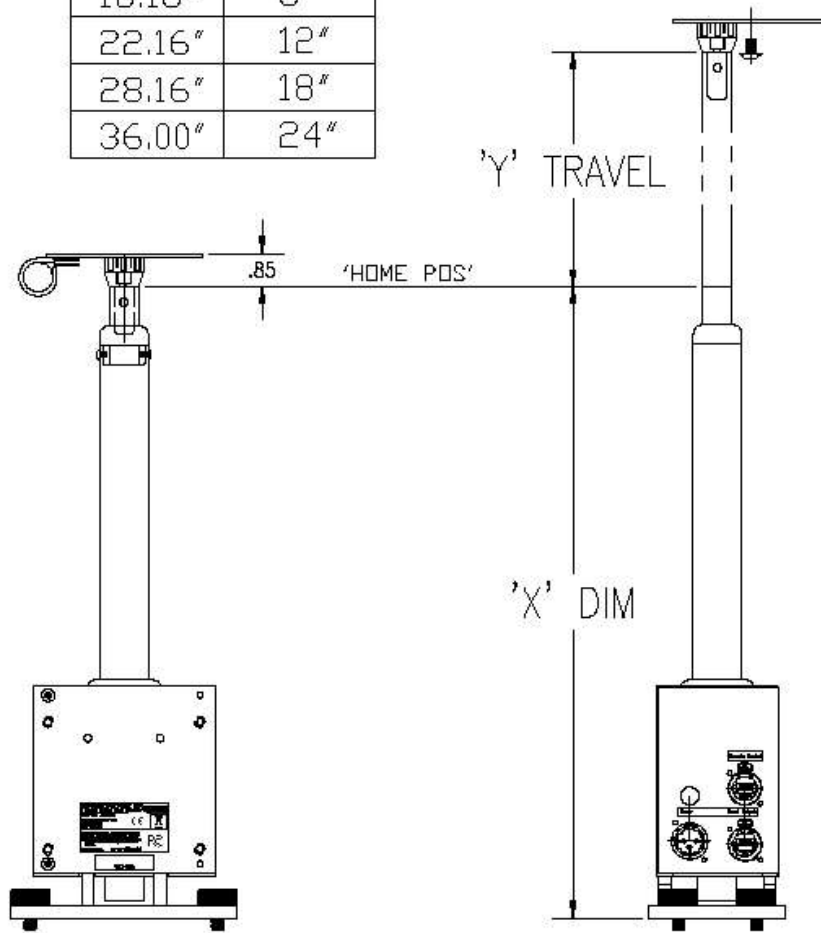


PresenterTek's IP Controller PC Software



Touch Screen Controller Option

'X' DIM	'Y' TRAVEL
16.16"	6"
22.16"	12"
28.16"	18"
36.00"	24"



TeleStepper®/PTZ stands are compliant with the following standards:

Safety: EN62368-1:2014+A11:2017 and EMC

Emissions: EN 55032:2015/AC:2016-07

Immunity: EN 61000-3-2:2014 , EN 61000-3-3:2013 , EN 55035:2017

CE Declaration

TeleStepper®/PTZstands are compliant with all applicable directives necessary for declaration of conformity. All models are RoHS compliant with CE mark affixed.